

HAMK industrial luminaire

Installation manual



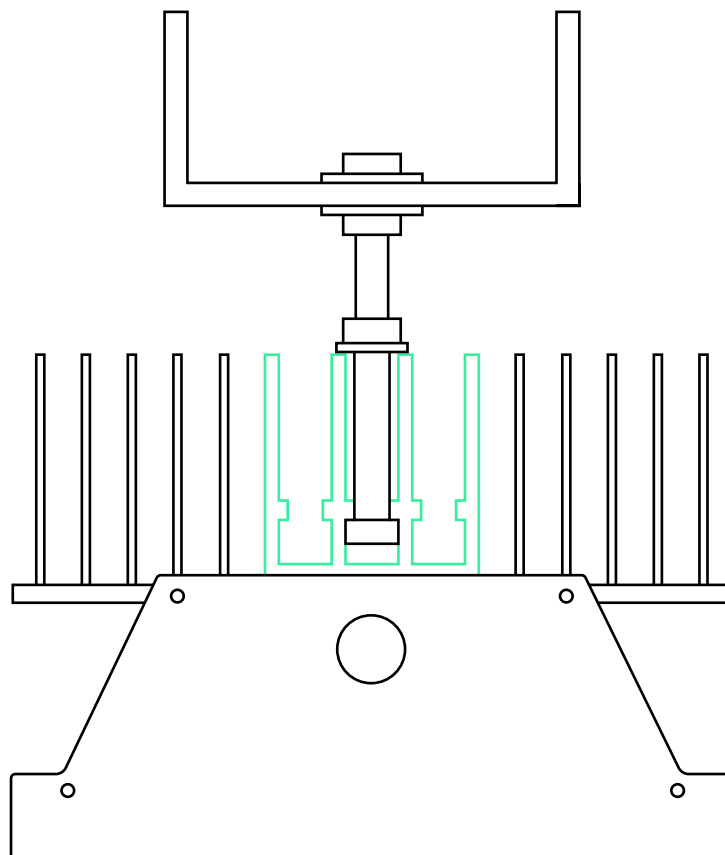
HAMK

luminec®

Fastening on cable tray with M8 bolt

As part of HAMK's design, there is a built-in mounting rail that allows the luminaire to be attached directly to the cable tray. Depending on the options and needs, an M8 bolt or threaded rod can be connected to the rail, which is an intermediate link to the cable tray, truss or ceiling.

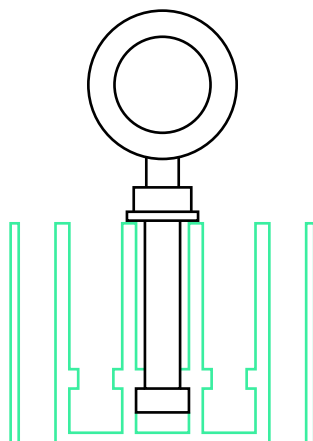
Depending on the installation options, the order of installation using the fastening element is not important. The intermediate link can be fixed to the luminaire as well as to the cable tray, truss or ceiling surface first.



Mounting rail

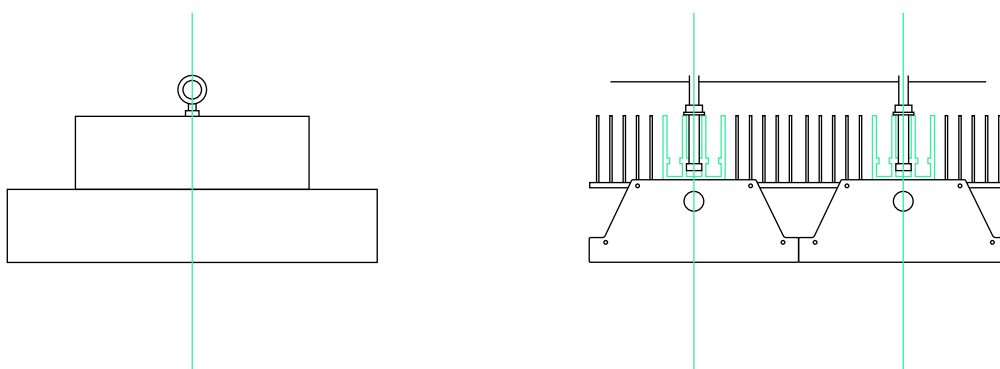
Fastening with a cable

The HAMK mounting rail can be used to hang luminaires with both horizontally and vertically positioned cables.



Fastening method for the mounting hook and rail

In order for the luminaires to direct the light directly towards the ground, the mounting hooks must be installed in the middle of the rails to avoid uneven mass distribution.



Vertical and horizontal hanging

Adjustable fasteners

In most cases, both outdoors and indoors, it may be necessary to mount the luminaire at an angle. The HAMK product line has two types of adjustable fasteners, depending on the volume and the customer's needs.

HAMK's adjustable fasteners allows you to select an angle of 180° both before and after fixing the fastener to a luminaire, post, mast, facade, truss or wall.

